

BEKOMAT® 31/32

FUTURE TECHNOLOGY WITH
BEKO RELIABILITY ... TODAY



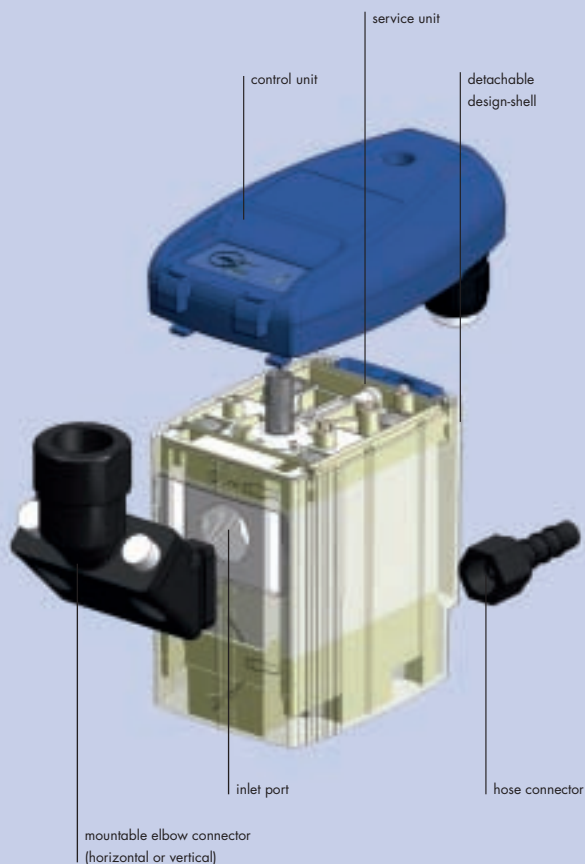
EVEN MORE COMPETITIVE IN PRICE, EVEN MORE RELIABLE

BEKO has transformed an international experience of more than 25 years into a new BEKOMAT® generation. With innovations which offer unprecedented advantages to the users.

BEKOMAT® 31/32 are consequential enhancements on proven solutions. Even more reliable, with fast and problem free installation. Maintenance that once took hours, now takes only seconds. BEKO achieves these targets through a construction that has never been realized until now, and consists of only two units joined by a quick connector.

Go and see for yourself.

BEKOMAT® 31/32. The innovation made by BEKO. Sets the standard of the future today.



+ 1: MINIMUM EXPENDITURE OF TIME: PLUG & PLAY

+ 2: SERVICE UNIT. PROGRESSIVE AND RELIABLE

+ 3: PROFITABLE

+ 4: DRAINAGE ACCORDING TO THE AMOUNT ACCUMULATED

+ 5: CONDENSATE HOUSING MADE OF ALUMINIUM

+ 6: SENSOR-CONTROLLED: COULDN'T BE SAFER!



SERVICE UNIT

Cost-effective: Complete replacement of all wearing and pressure-bearing parts in one swift movement.

- No tools required during maintenance work.
- No installation of seals and component parts.
- Only one spare part, function and pressure-tested.

BEKO service unit ready-for-use:

The easy ex-works solution!

PROBLEM FREE INSTALLATION

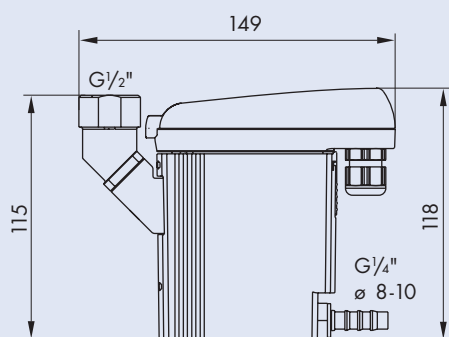
- Only connect once with electricity
- Quick connector
- Standard elbow connector for easy connection

UNPARALLELED RELIABILITY

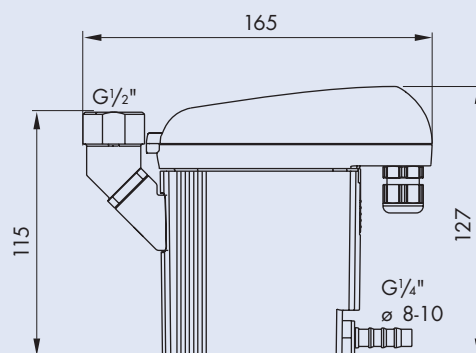
No unnecessary compressed-air loss

- Condensate housing made of non-corrosive aluminium as standard. An important contribution to operational reliability and longevity.
- BEKOMAT® 32 with alarm function and remote failure monitoring

SPECIFICATIONS



BEKOMAT® 31



BEKOMAT® 32

	Operating pressure (bar)		Weight (kg)	Application area	Application	Connections			max. compressor performance (m³/min)			max. dryer performance (m³/min)			max. filter performance (m³/min)		
	min.	max.				inlet	outlet hose connector	outlet hose di	3	2.5	1.5	6	5	3	30	25	15
BEKOMAT® 31	0.8	16	0.8	o, of	for all points of discharge	1x G1/2"	1x G1/4"	8 – 10 mm	3	2.5	1.5	6	5	3	30	25	15
BEKOMAT® 32	0.8	16	1.0	o, of	for all points of discharge	1x G1/2"	1x G1/4"	8 – 10 mm	6	5	3.5	12	10	7	60	50	35

Temperature range: +1 bis +60 °C

o: oil-containing condensate

of: oil-free condensate

More information regarding the climatic zones and the full BEKOMAT® range of products can be found at www.beko.de

For the design of the BEKOMAT® condensate drains for a specific region, please use the three climatic zones for orientation:

■ e.g. Northern Europe, Canada, Northern USA, Central Asia

■ e.g. Middle- and Southern Europe, Middle America

■ e.g. Southeast Asian coast regions, Oceania, Amazonian- and Kongo-regions

